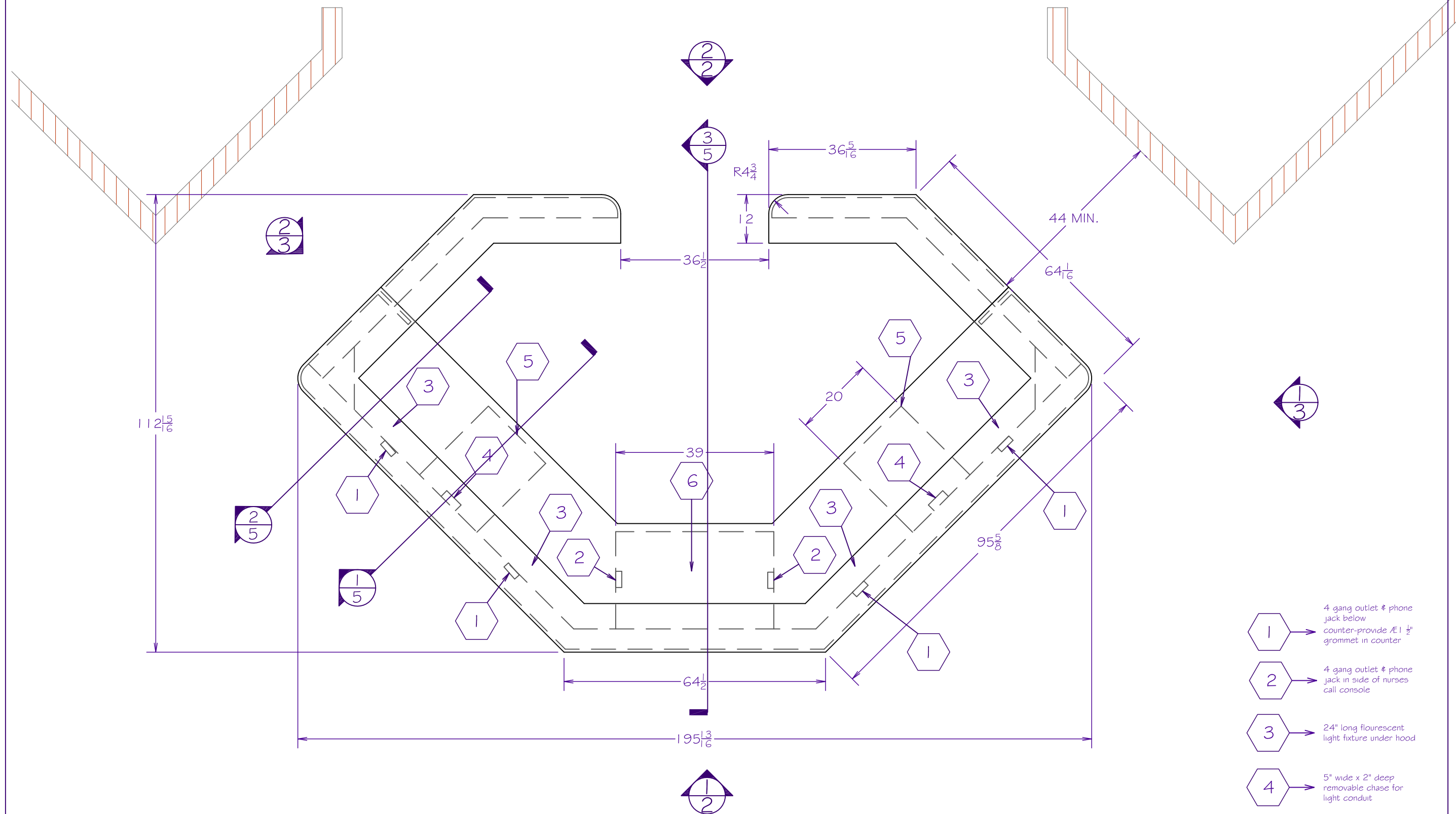


Company
Name &
Logo
Here

Nurses Station Plan

Commercial Cabinet Project

Sheet
—

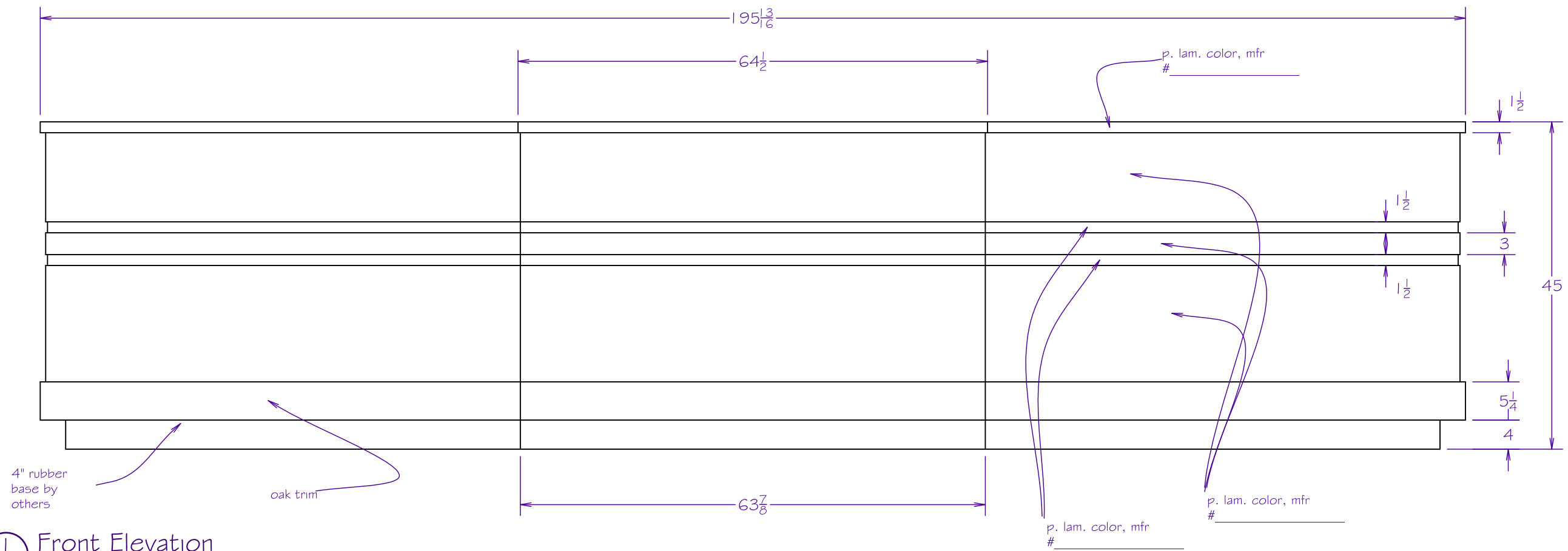


Plan
SCALE: 1/2" = 1'

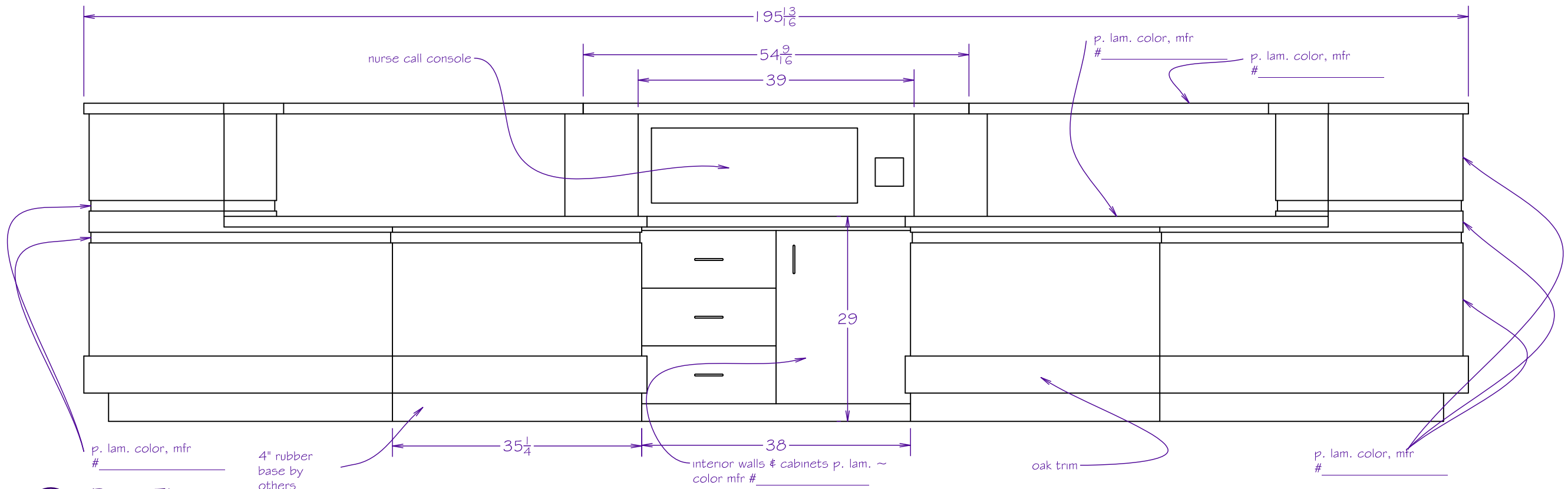
- 1 → 4 gang outlet & phone jack below counter-provide #E1 1/2" grommet in counter
- 2 → 4 gang outlet & phone jack in side of nurses call console
- 3 → 24" long flourescent light fixture under hood
- 4 → 5" wide x 2" deep removable chase for light conduit
- 5 → 2 drawer legal file
- 6 → nurses call console

Company
Name &
Logo
Here

Nurses Station - Elevations
Commercial Cabinet Project

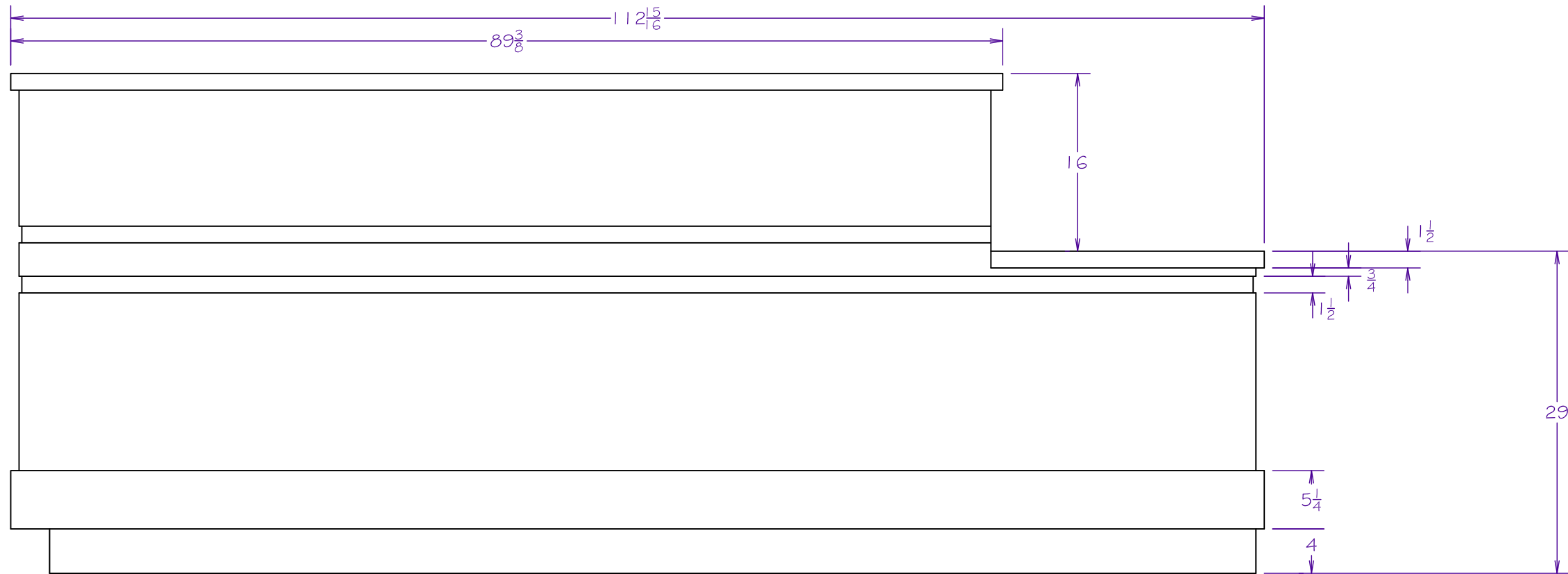


1 Front Elevation
2 SCALE: 3/4" = 1'

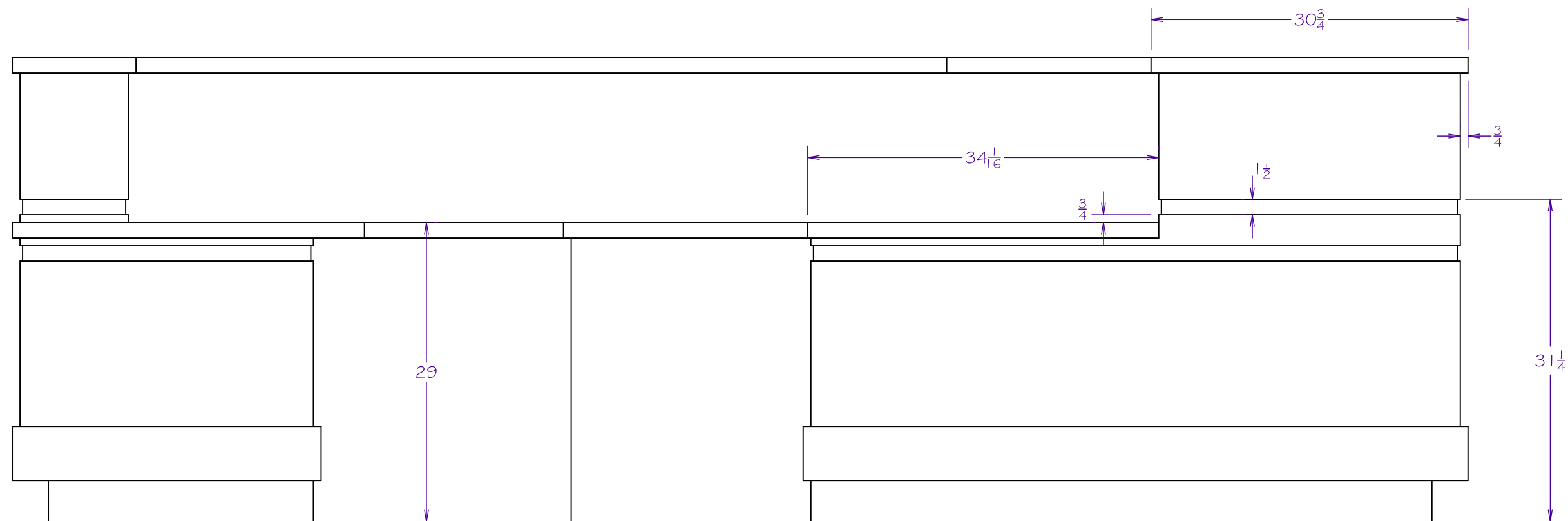


2 Rear Elevation
2 SCALE: 3/4" = 1'

Company
Name &
Logo
Here



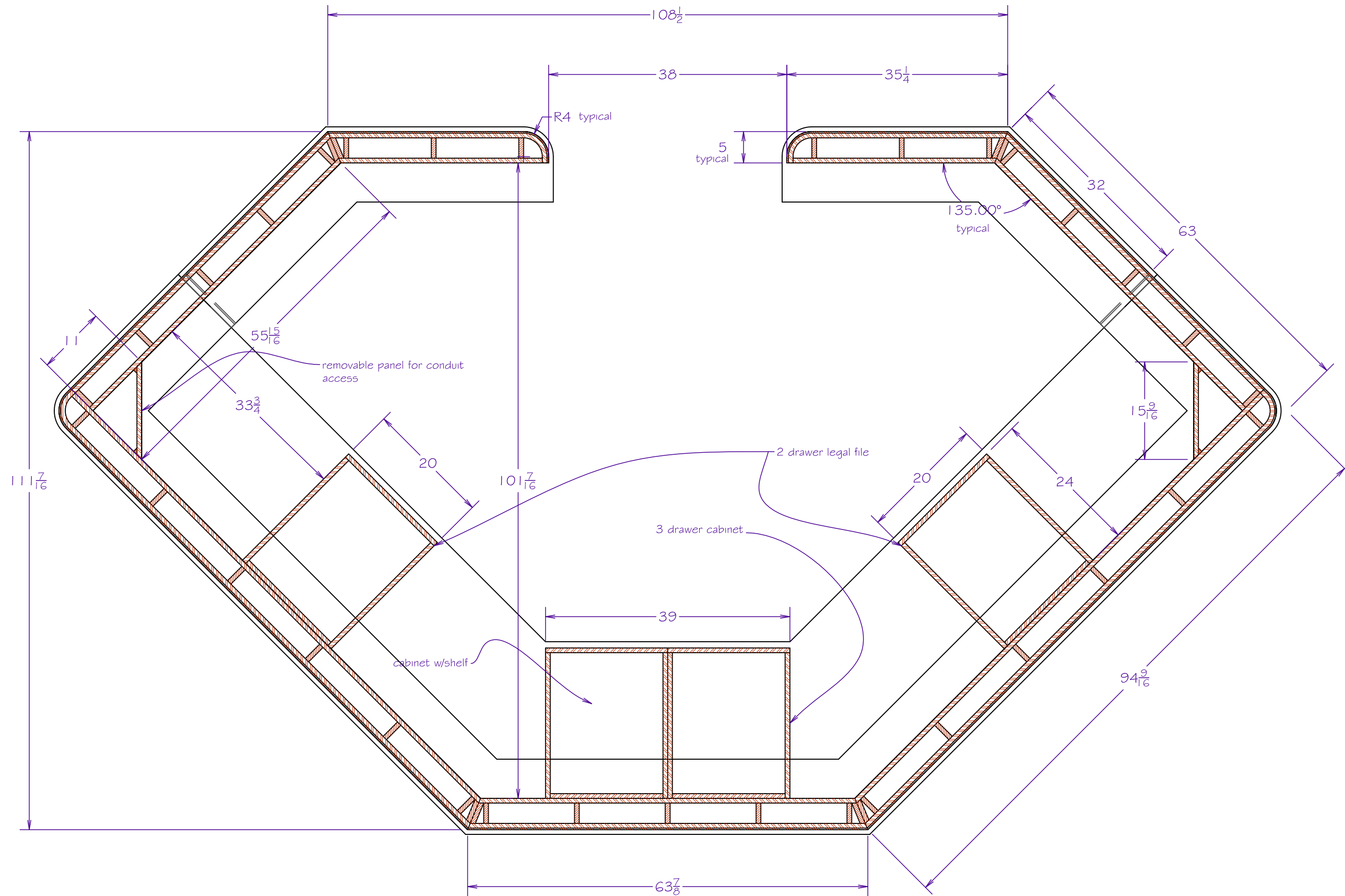
1 Side Elevation
3 SCALE: 1" = 1'



2 Side Elevation
3 SCALE: 1" = 1'

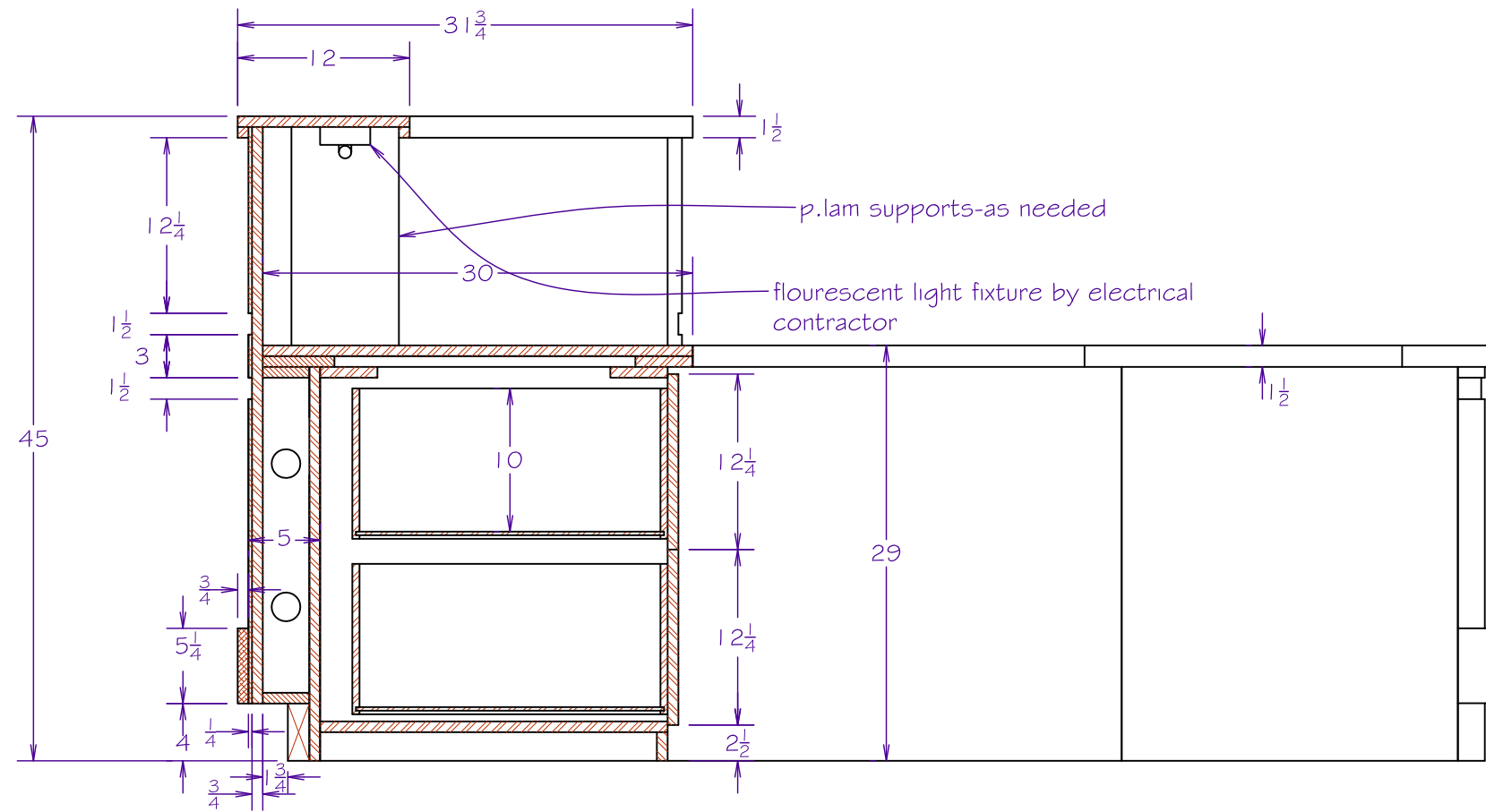
Nurses Station - Elevations

Commercial Cabinet Project

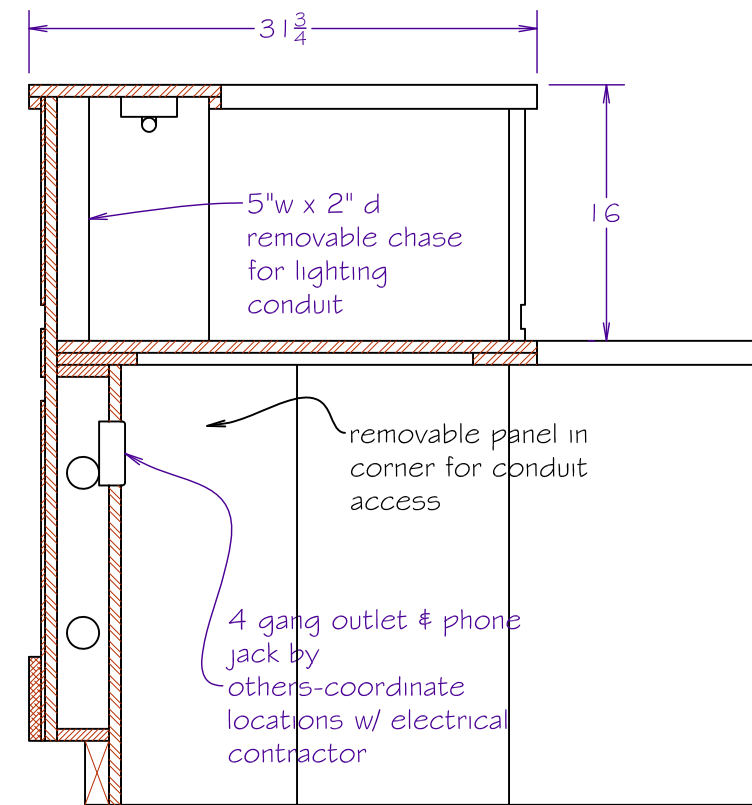


Nurses Station - Cab/Wall Plan

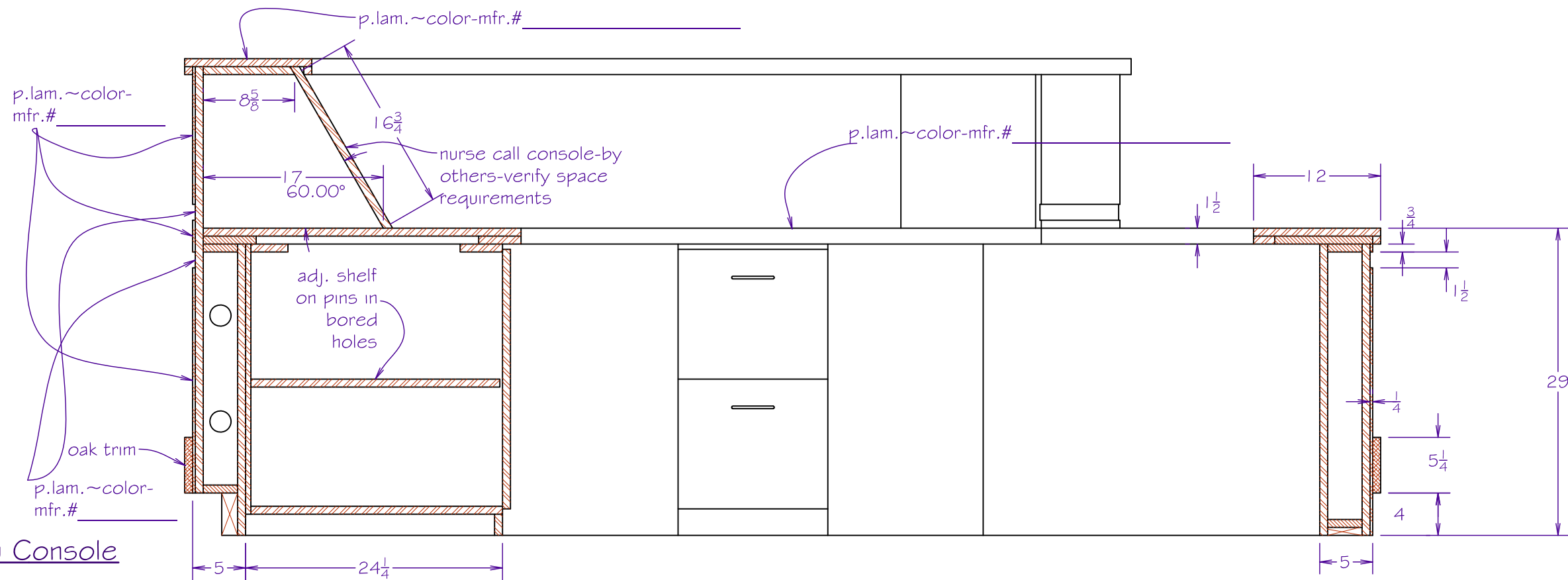
Commercial Cabinet Project



1 Section Thru Cabinet
5 SCALE: 1" = 1'



2 Section Thru Desk
5 SCALE: 1" = 1'



3 Section Thru Console
5 SCALE: 1" = 1'

Company Name & Logo Here

Nurses Station - Sections
Commercial Cabinet Project