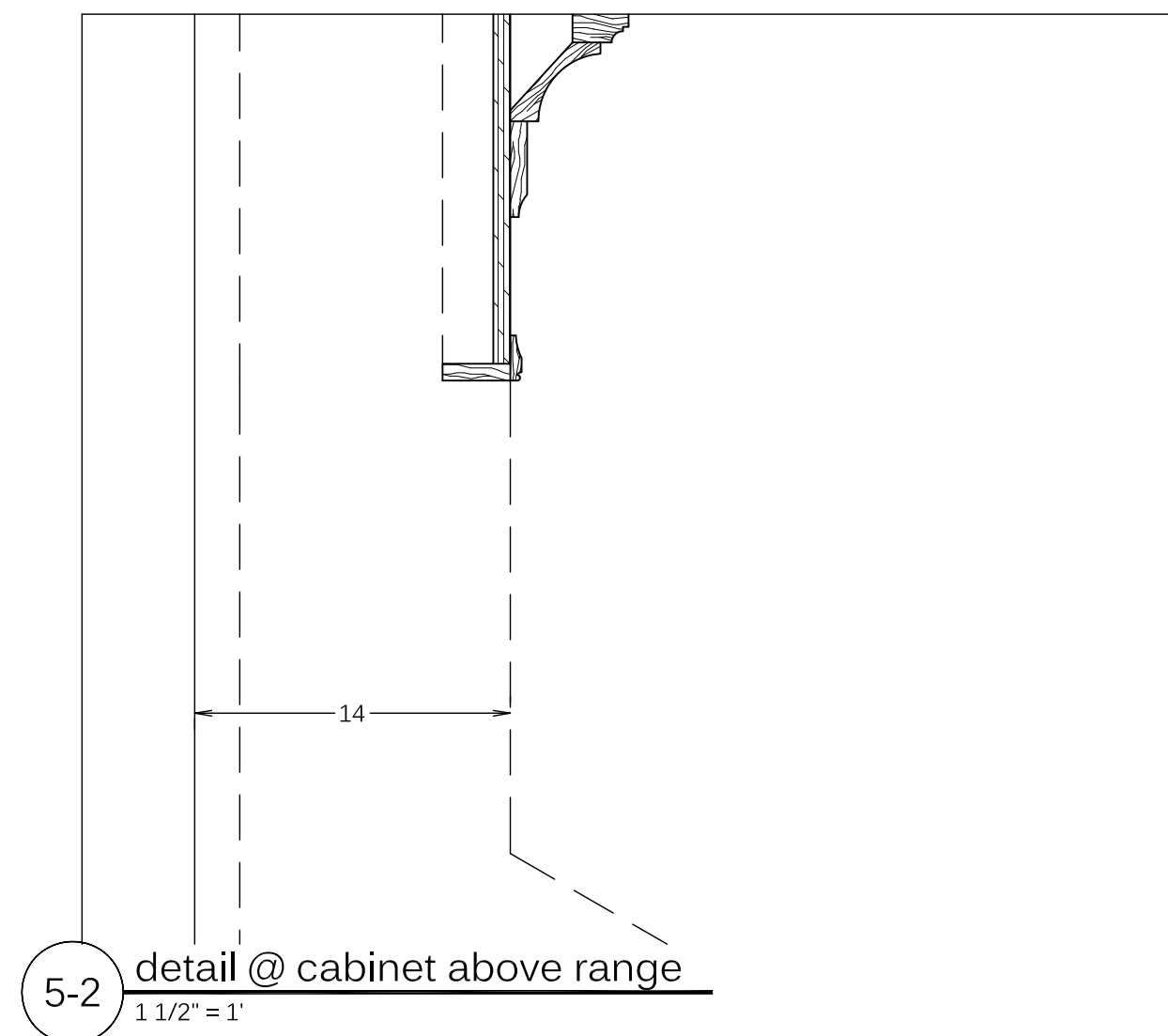


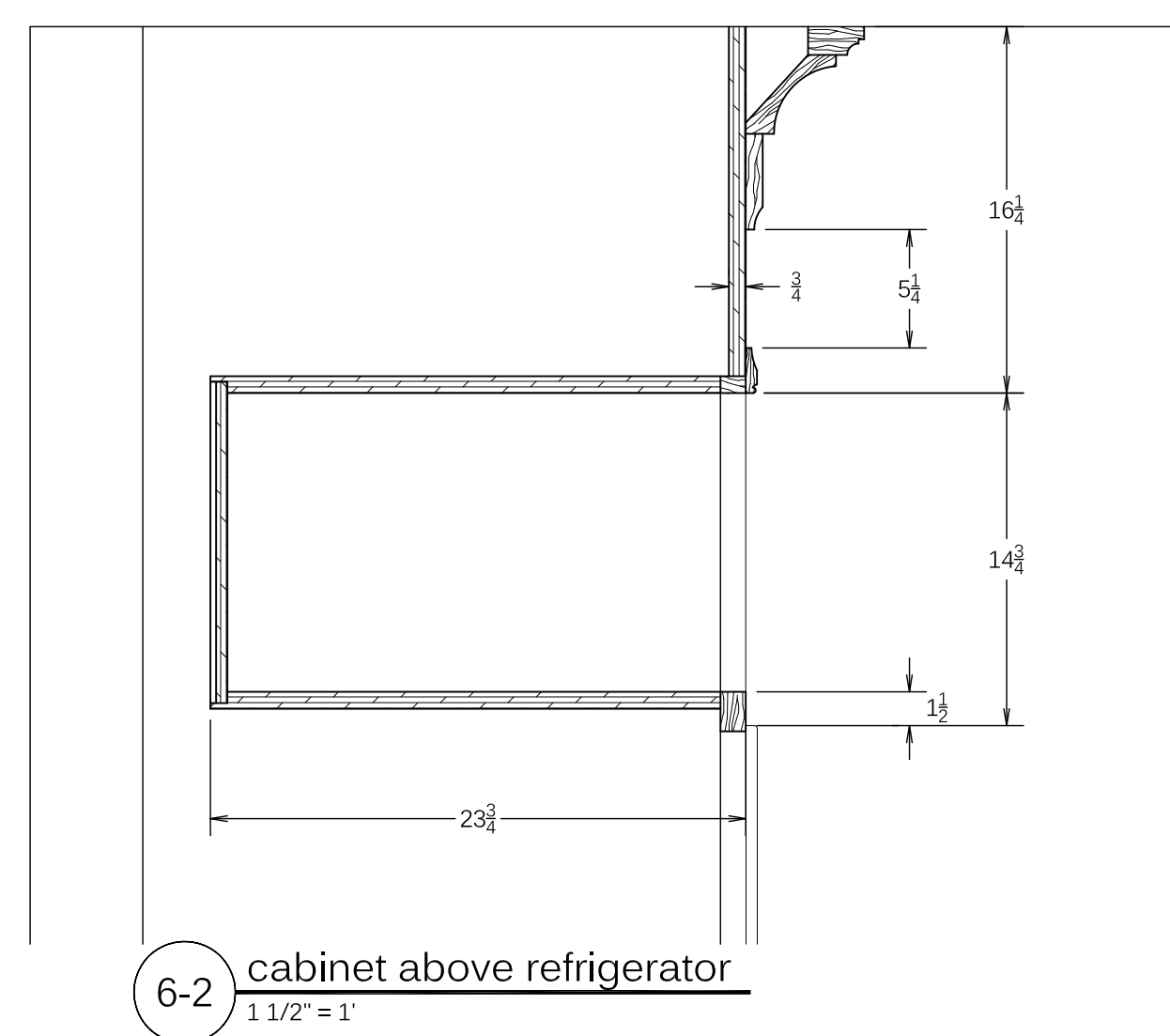
= cabinet number
= door number

Robert Lang
513-509-3894
PO Box 325, Loveland, OH 45140
www.readwatchdo.com e-mail=boblang@cnci.rr.com

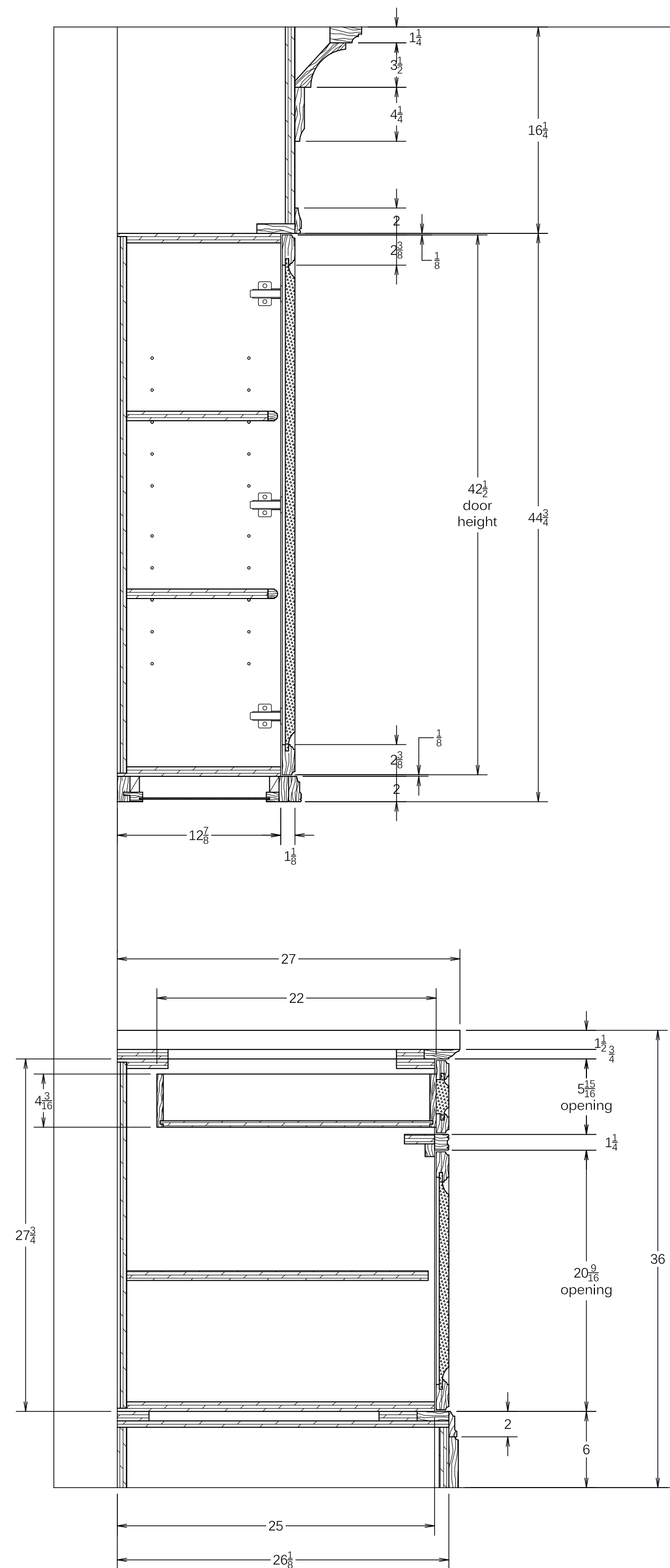
SCALE:
as noted
cabinet
plan &
elevations



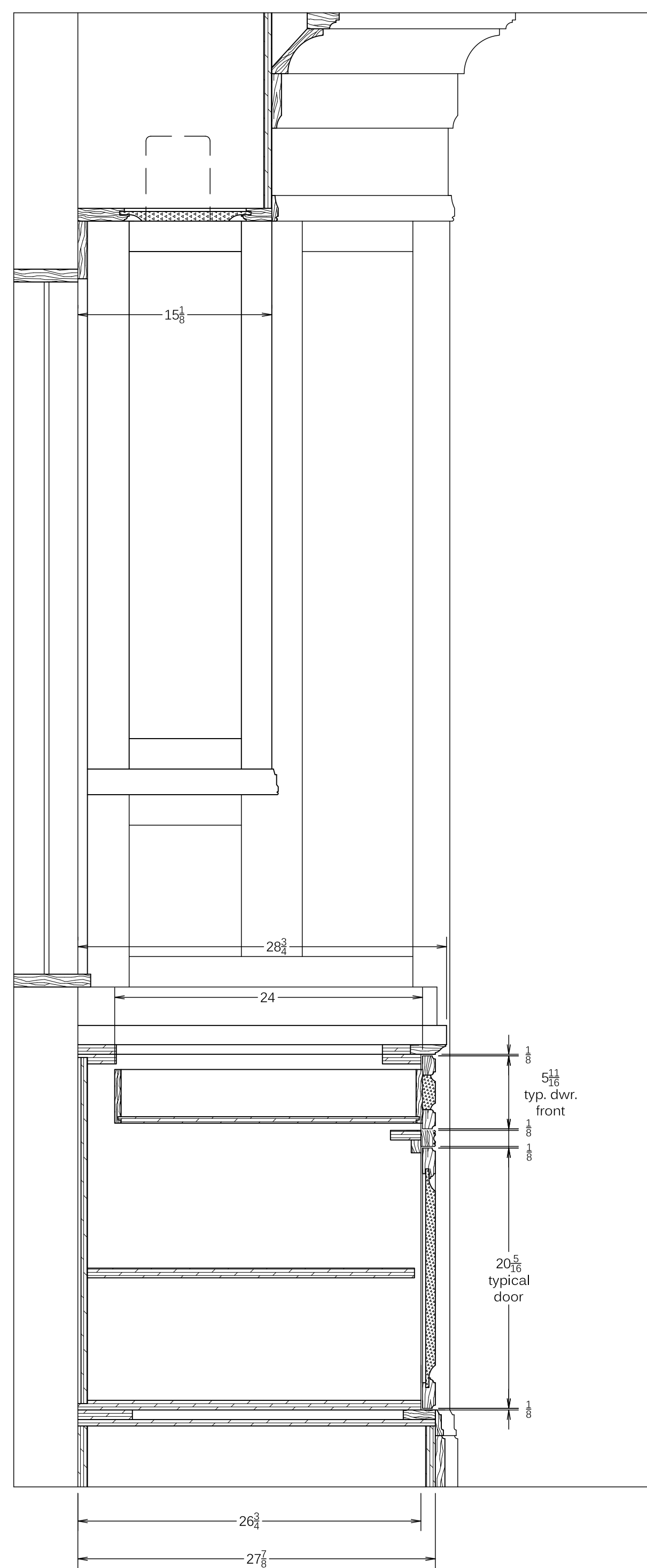
5-2 detail @ cabinet above range
1 1/2" = 1'



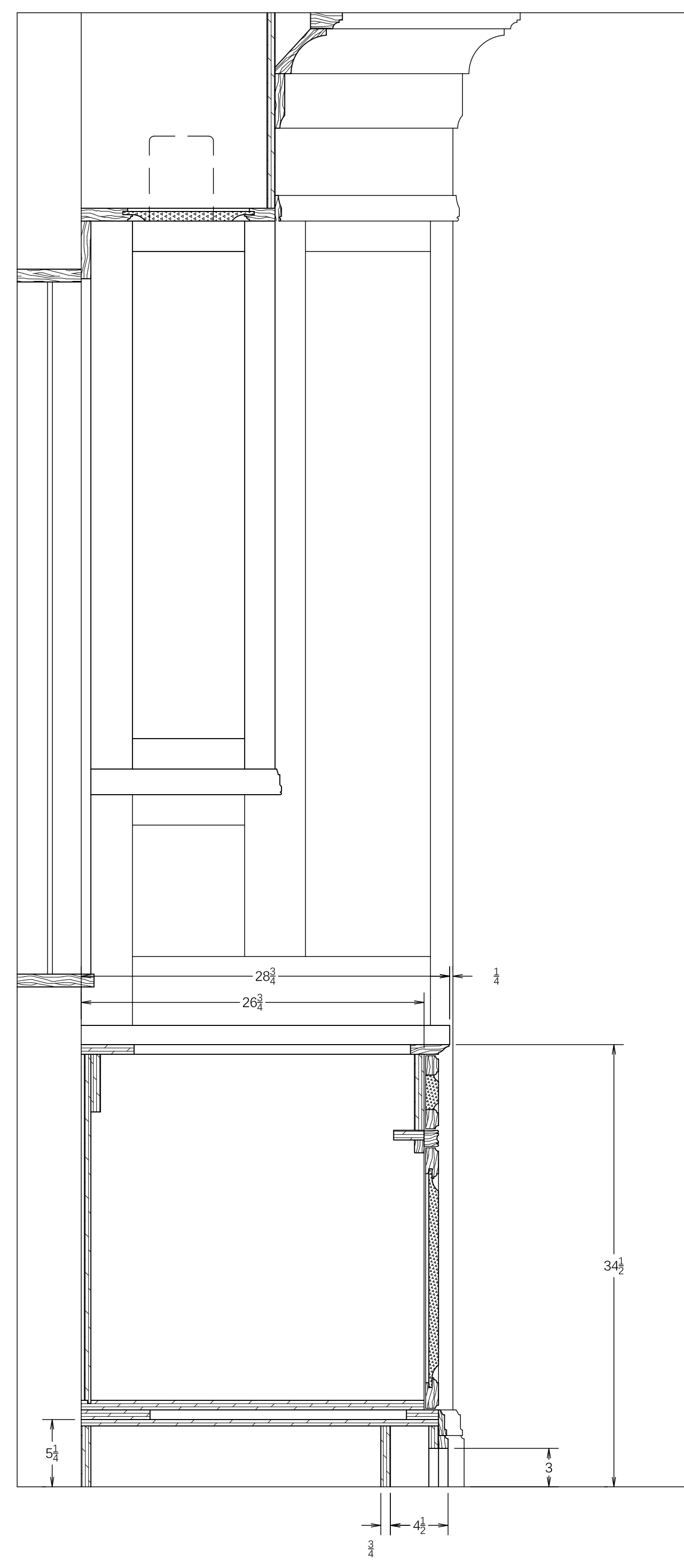
6-2 cabinet above refrigerator
1 1/2" = 1'



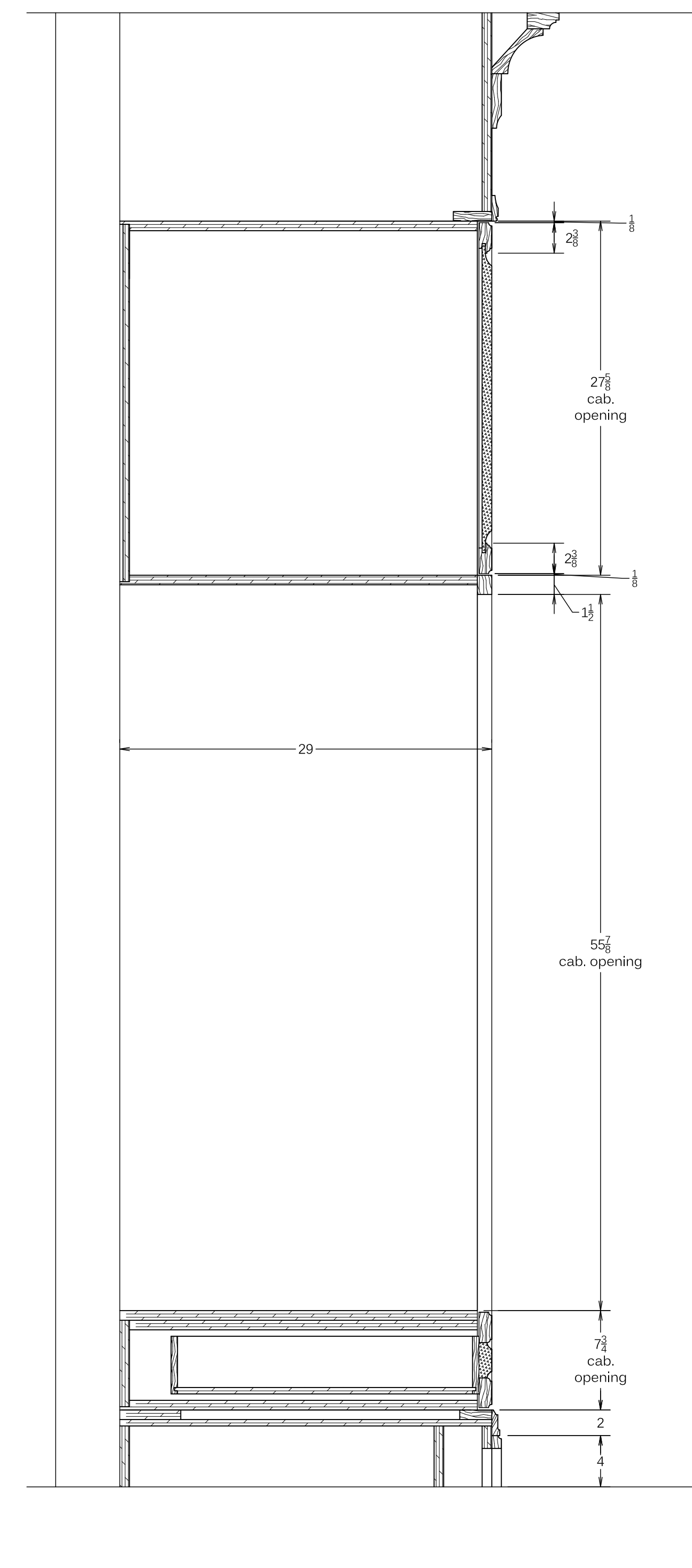
1-2 section-cabinets on west wall
1 1/2" = 1'-0"



2-2 section-cabinets on north wall
1 1/2" = 1'-0"

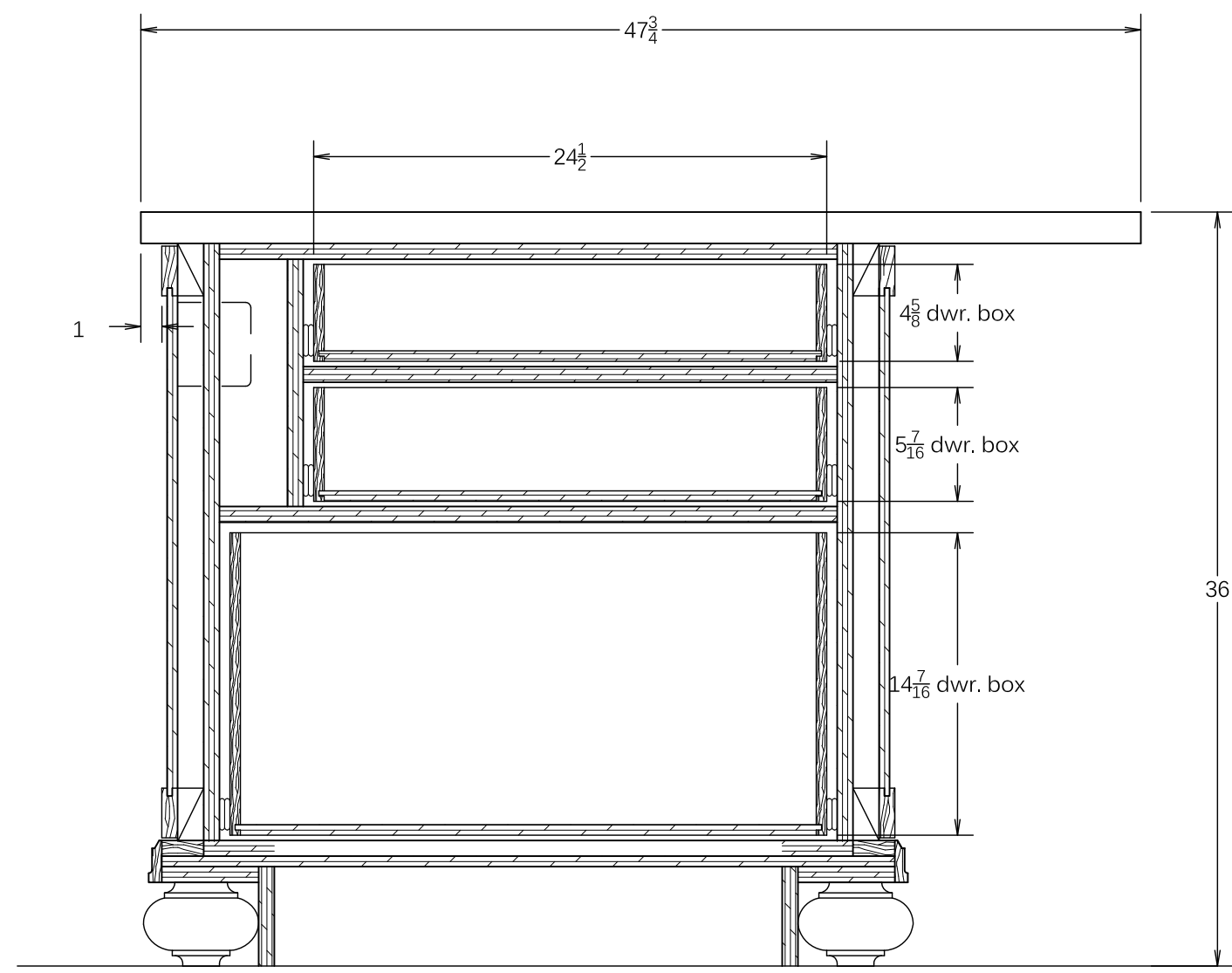


3-2 section-sink base
1 1/2" = 1'-0"

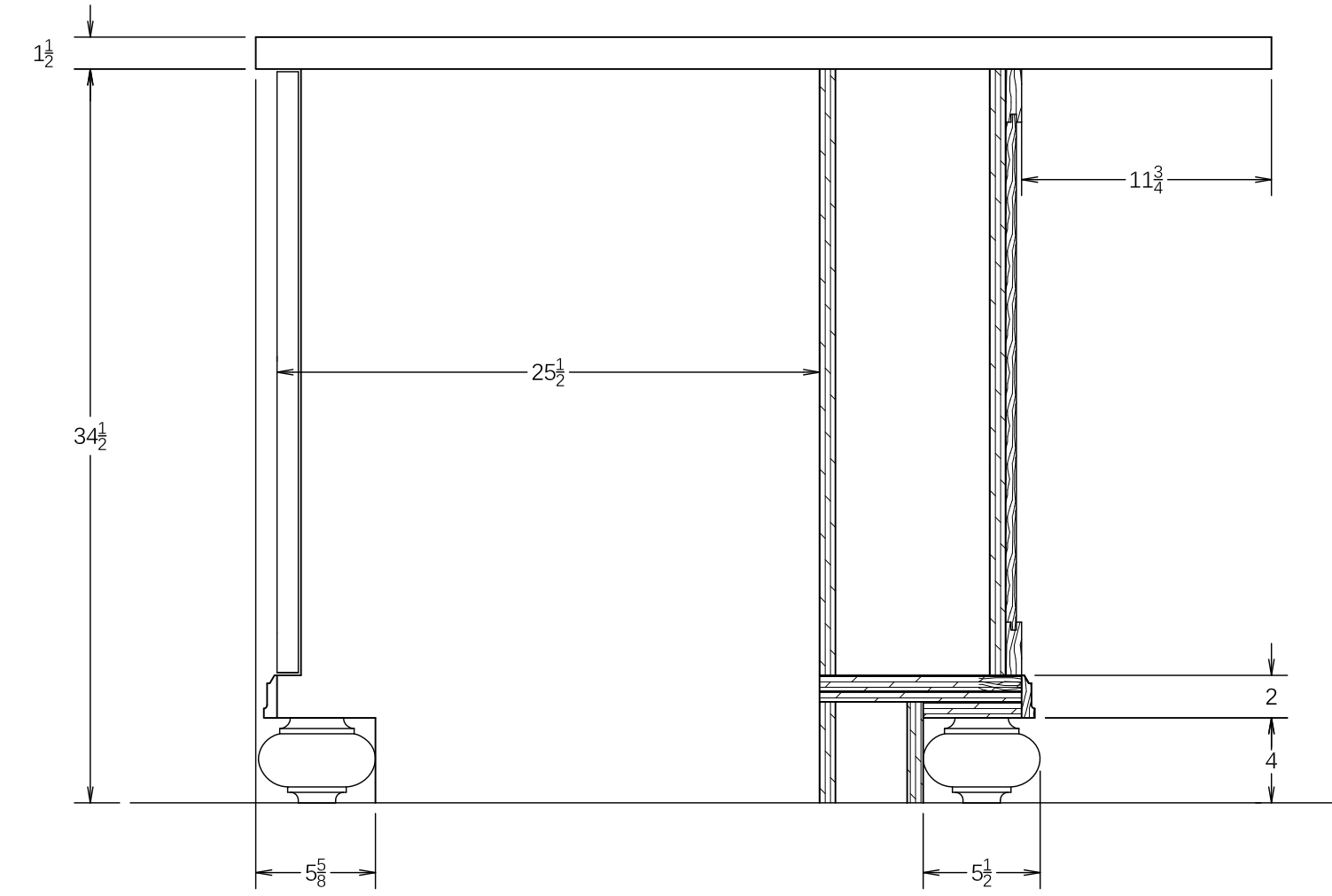


4-2 section-oven cabinet
1 1/2" = 1'-0"

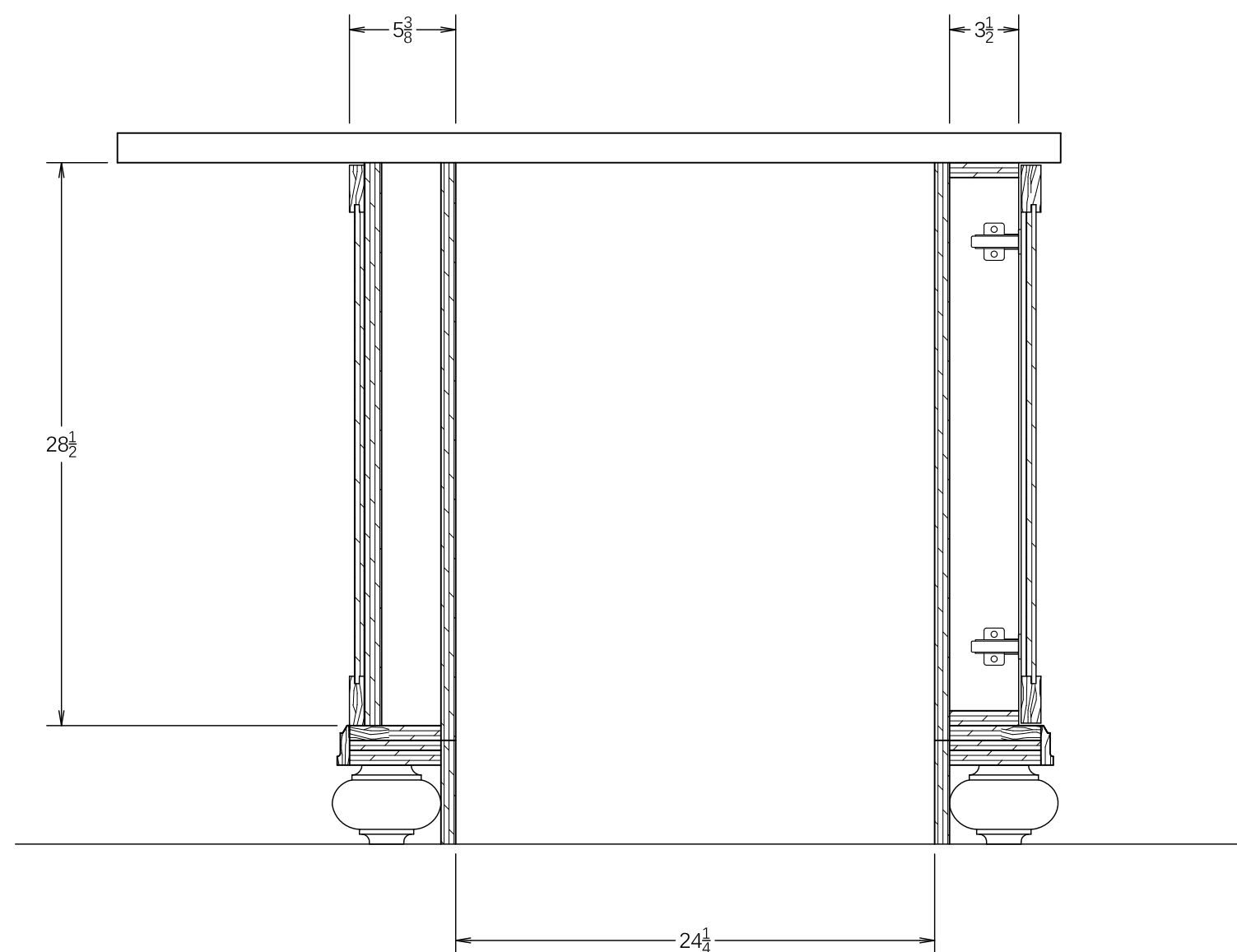
Robert Lang
513-509-3894
PO Box 325, Loveland, OH 45140
www.readwatchdo.com e-mail=boblang@cincir.com



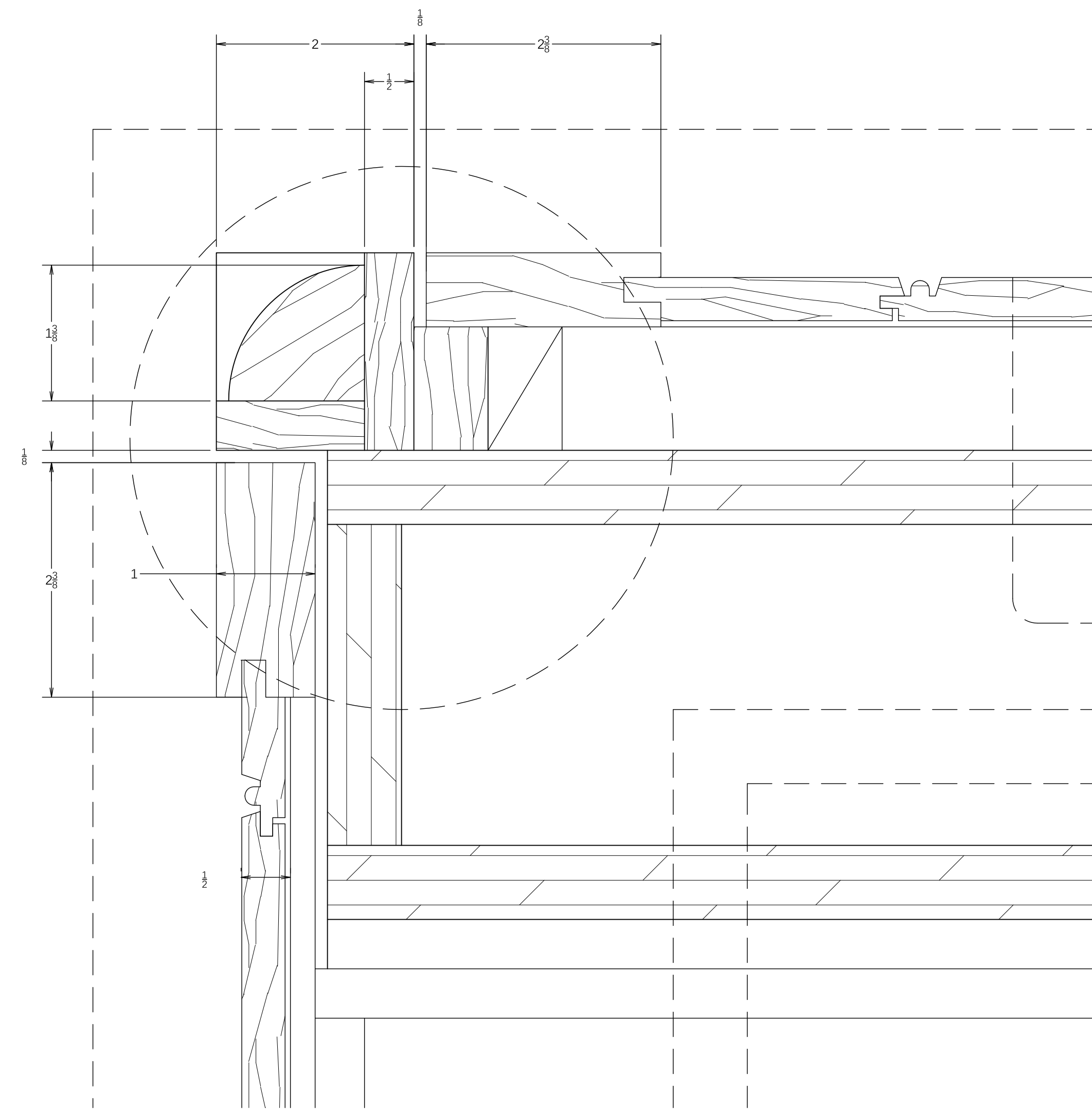
1-3 section thru west end
1 1/2" = 1'-0"



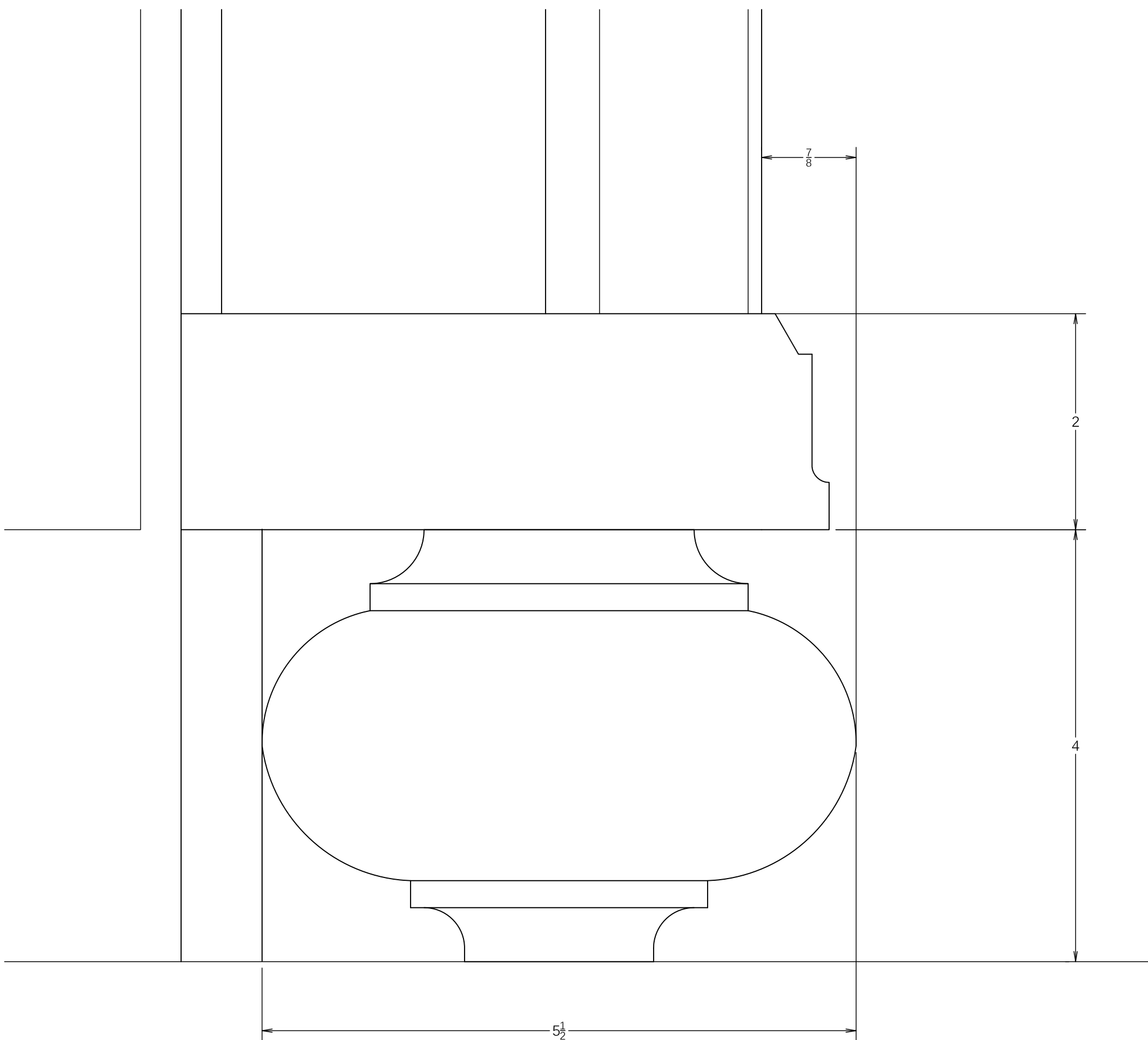
2-3 section thru center
1 1/2" = 1'-0"



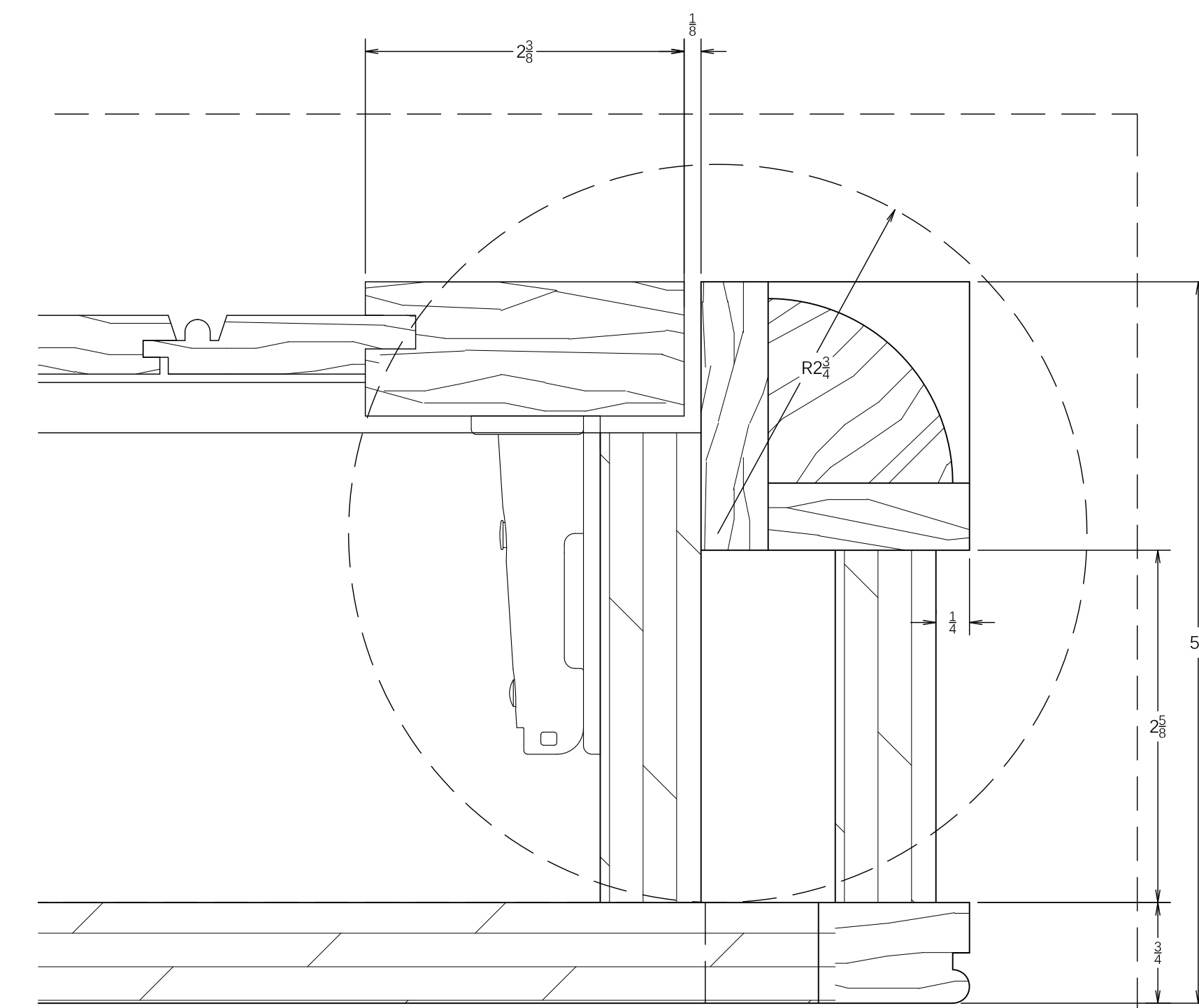
3-3 section thru east end
1 1/2" = 1'-0"



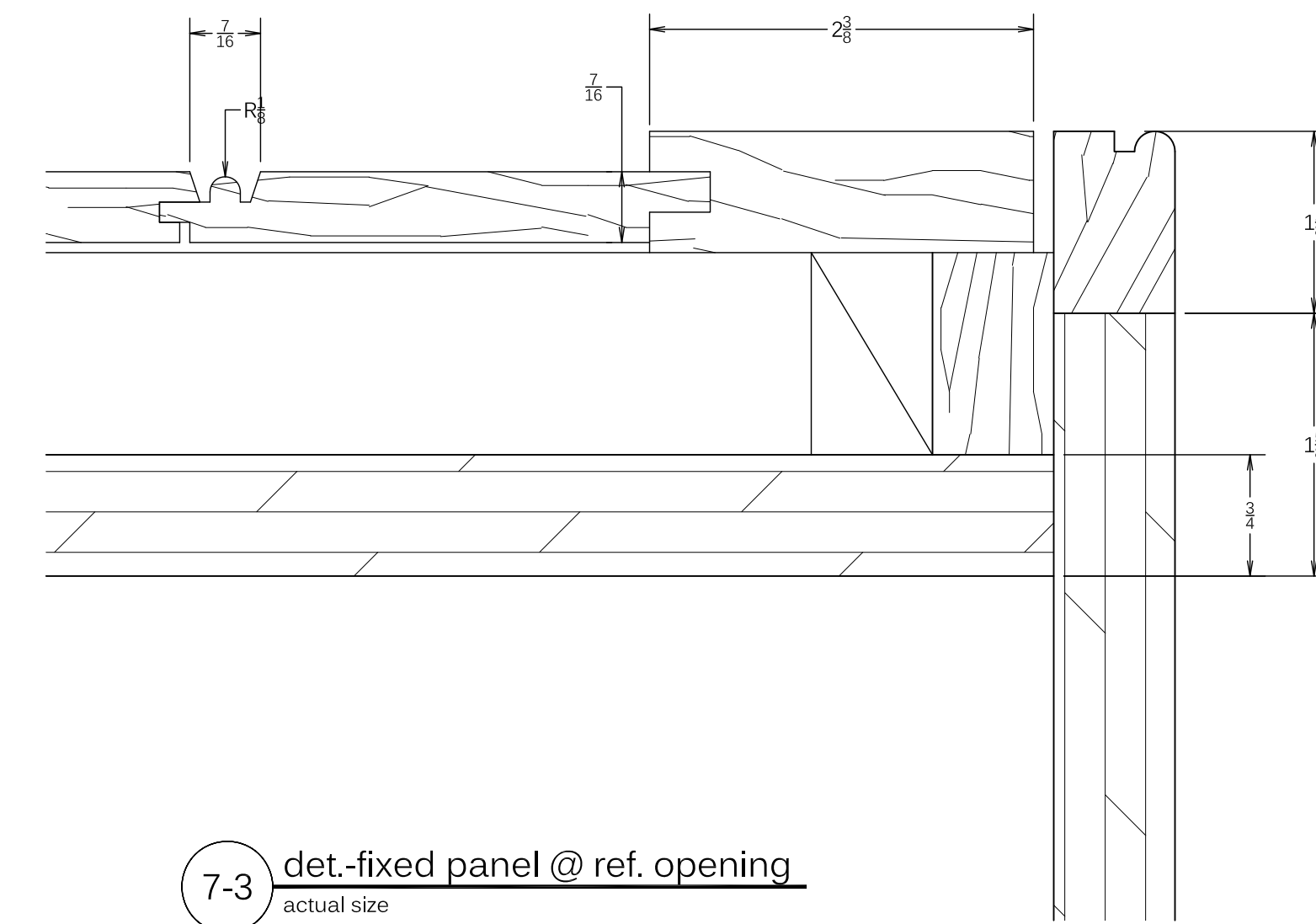
4-3 detail @ corner
full size



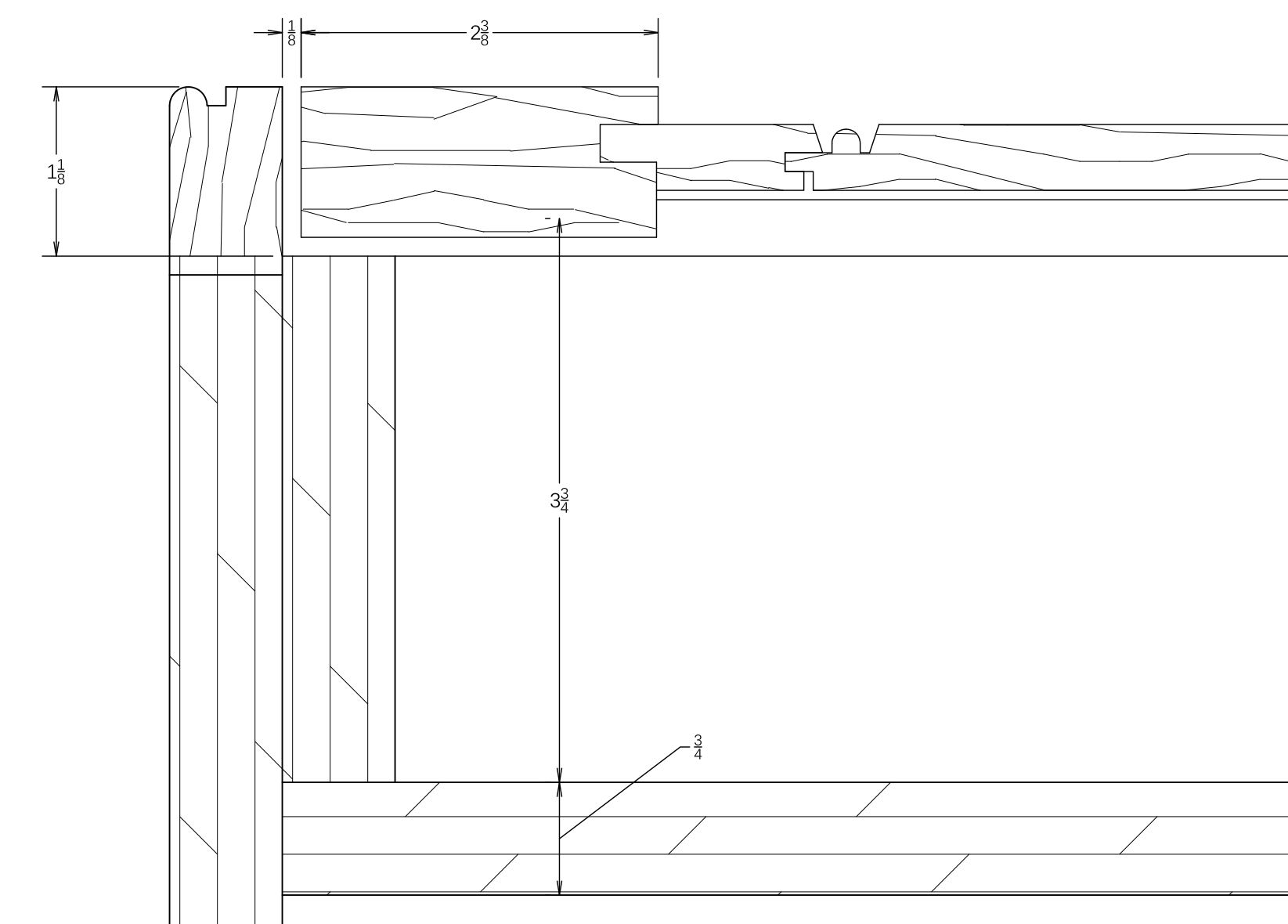
5-3 detail @ floor
full size



6-3 plan det. @ corner
full size



7-3 det.-fixed panel @ ref. opening
actual size



8-3 det.-cab. door @ ref. opening
actual size

Robert Lang
513-509-3894
PO Box 325, Loveland, OH 45140
www.readwatchdo.com e-mail=boolang@chncir.com

SCALE:
as noted
island
details